



ZANUS

PRODUCTION ROBOTICS



Paulinho



PaulinhoB

Pan Tilt Heads

Key features

- Superb motion control
- Multiple lens control interfaces
- Advanced preset options
- Lightweight and compact
- Cost effective

Paulinho



- Ideal for productions where minimum cabling is required
- Output voltage for camera supply pass through the Pan axis
- HDMI pass through the pan axis
- SDI pass through the Pan axis
- Ethernet pass through the Pan axis

PaulinhoB



- More compact
- More lightweight
- Cost effective
- It can make multiple turns in the Pan axis
- Does not have the base
- Does not have cable pass through

Paulinho and PaulinhoB are designed for productions with limited budgets.

If you want to use your camcorder, box camera or DSLR as a PTZ camera, Paulinho and PaulinhoB are the ideal solution.

They offer payload of 5kg, superb motion control quality and advanced preset options with very compact and lightweight design at a very competitive price.



Paulinho

- Cabling is made very easy due to SDI and HDMI cable pass through the Pan axis
- There is a switch inside the Paulinho head with
- Ethernet connector in the base and Ethernet connector for the camera
- Head gives 50W power output
- Voltage can be selected from 7.4V, 8.4V, 10V, 12V and 24V
- Tally signal cable pass through
- In the base there is CAN connector for easy interface in system with Zanus motorized lift and Zanus motorized dolly on tracks



PaulinhoB

- Lighter and more compact than Paulinho
- Same camera payload as Paulinho
- Locking mechanism for the connectors allows the pan axis to be able to make multiple turns
- It has CAN connector for easy interface in system with Zanus motorized lift and Zanus motorized dolly on tracks
- Does not have the base
- Does not have cable pass through

Various lens control options with Fujinon and Canon control interfaces, interface for external follow focus motors, LANC interface and XC protocol for Canon cameras are present on the head.



Canon Cine Servo Lenses

PL mount (full frame or super 35)
EF mount (full frame or super 35)

Canon Broadcast Lenses

B4 mount (2/3")



Fujinon Broadcast Lenses

B4 mount (2/3")



LANC

Local Application Control Bus System

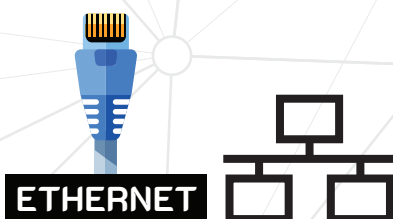
- Sony, Canon, JVC and Panasonic prosumer camcorder lenses
- Some Sony digital cinema cameras



External lens motors

PDmovie are used on the following cameras:

- Digital cinema cameras - cine lenses
- Prosumer cameras - lens with an infinity focus and zoom ring



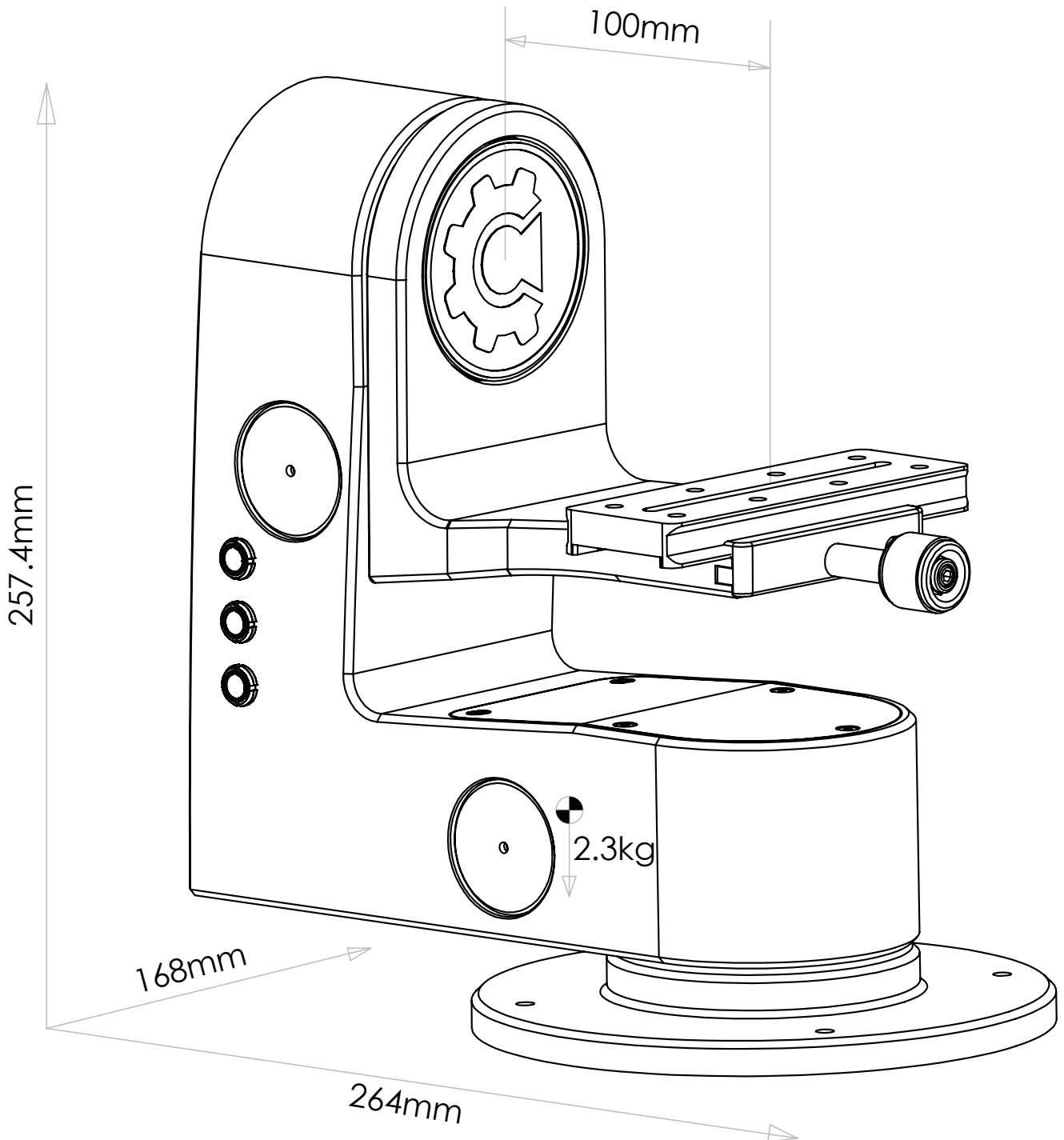
Canon XC

Ethernet protocol that enables control of camera

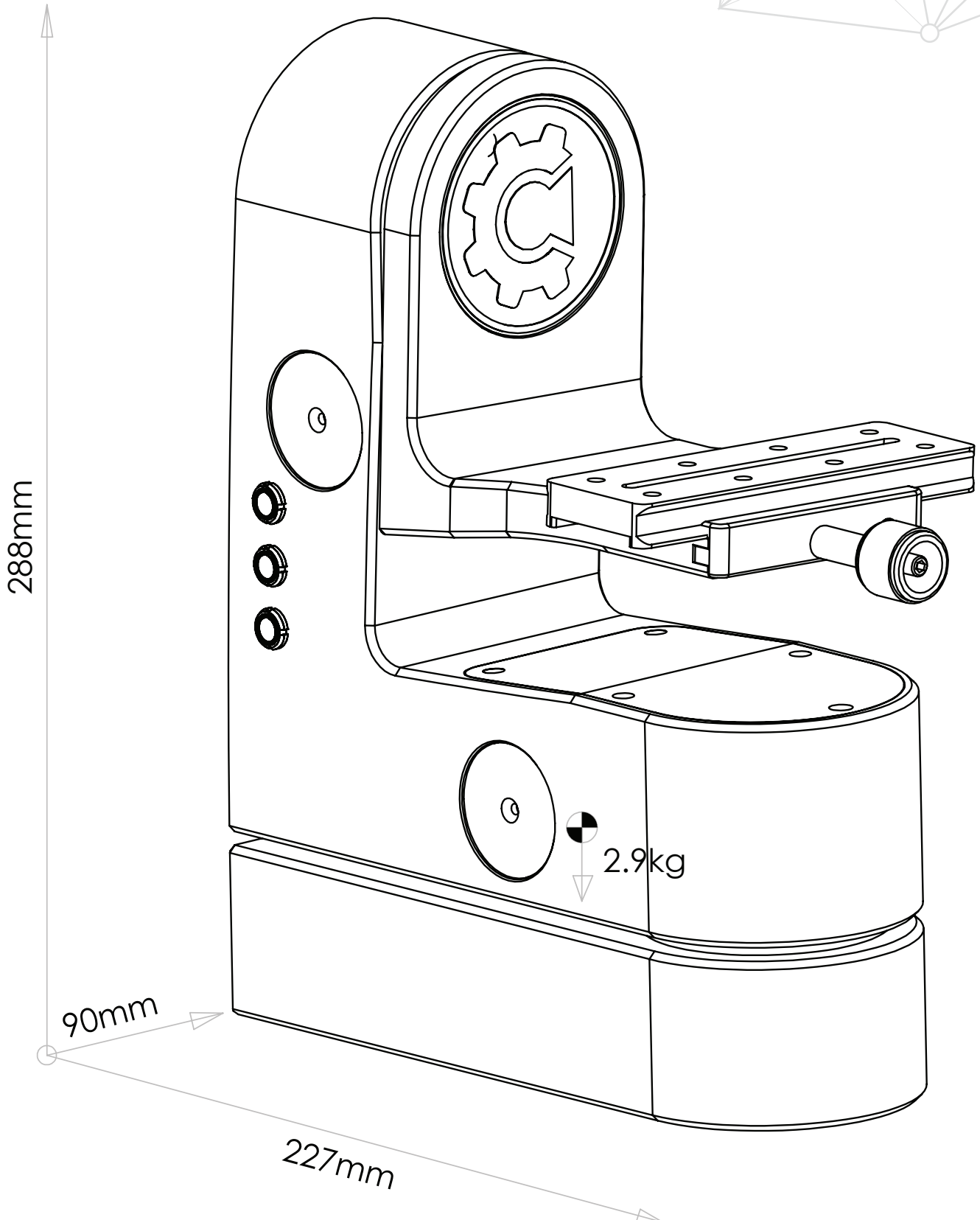
EOS C500 mark 2
EOS C300 mark 3
EOS C70
EOS XF 605

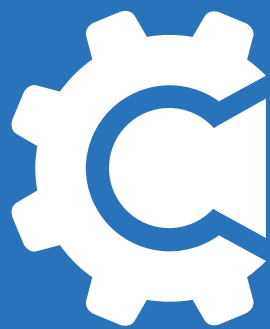
| | Paulinho | PaulinhoB |
|-----------------------------|--|---------------------|
| Camera payload | 5 kg | |
| Weight | 3.3kg | 2.9kg |
| Dimensions | 288x277x90mm | 257x264x168mm |
| Pan angle | ± 175° | ± 360° (multi turn) |
| Tilt angle | ± 180° | |
| Pan speed | 0.01 – 30°/s | |
| Tilt speed | 0.01 – 30°/s | |
| Acceleration | 30° /s ² | |
| Presets | Preset play/run, preset array, maximum 100 points, preset in some axes and manual control in others possible | |
| Temperature operating range | -10° to 45° | |
| Power requirements | 24VDC, 5A | |
| Connectors (audio, video) | 1 SDI co-ax pass trough 1 HDMI pass through | None |
| Connection | IP Ethernet | |
| Noise level | 40 dB | |
| Communication connectors | CAN connector for interface with Zanus pedestal and dolly | |
| | Ethernet switch in the head with ethernet connection for the camera | None |
| Power output connectors | DDC 7.4V, 8.4V, 10V, 12V, 24V – 50W | None |
| Zoom, Focus, Iris control | Interface for Canon and Fujinon lenses, interface for PD Movie external lens motors, LANC, Canon XC protocol | |
| Mounting | Standard tripod mount with half ball, reverse mount possible, 90° wall-mount with adapter possible | |
| Protection class | IP52 | |

PaulinhoB



Paulinho





ZANUS

PRODUCTION ROBOTICS

Being so precise, easy to control, quiet, and affordable,
Paulinho and PaulinhoB are ideal partner for your future productions.

www.zanusrobotics.com
info@zanustechnology.com